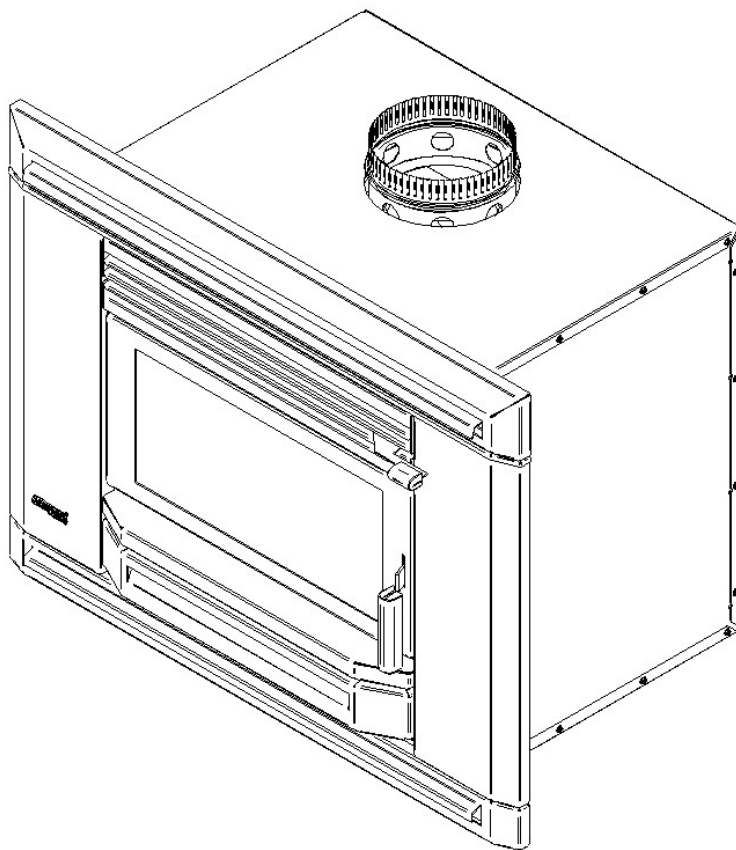











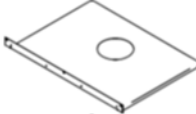

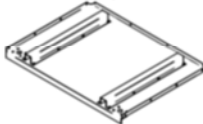


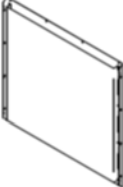

SPECIFICATION & INSTALLATION GUIDE FOR MASPORT LE4000 PROVINCIAL BUILT-IN FIRE, NEW ZEALAND MODEL



Manufactured in New Zealand by:
GLEN DIMPLEX AUSTRALASIA LIMITED
38 Harris Road, East Tamaki
Auckland
Ph: 0800 666 2824
Fax: 09 274 8472
Email: sales@glendimplex.co.nz
Web: www.glendimplex.co.nz

Distributed in Australia by:
GLEN DIMPLEX AUSTRALIA PTY LIMITED
Unit 1, 21 Lionel Road, Mount Waverley
Victoria, 3149
Ph: 1 300 566 816
Fax: 1 800 058 900
Email: sales@glendimplex.com.au
Web: www.glendimplex.com.au

ZERO CLEARANCE BOX

| Part ID | Qty | Descriptions | |
|---------|-----|---------------------------------------|---|
| 521635 | 4 | SCREW; S/T 10GX3/8" HEX FLANGE BLK |  |
| 521637 | 2 | SCREW; S/T 12GX25 TIMBERTITE |  |
| 521643 | 32 | SCREW; S/T 8GX1/2" HEX POZI BLK |  |
| 522402 | 2 | NUT; SPIRE SNU0537 |  |
| 524011 | 4 | RIVET; 73 MS 5-3 |  |
| 595688 | 1 | FLANGE SPIGOT ZC KIT |  |
| 993143 | 1 | CHANNEL-FASCIA RTN ZC BOX LE5 |  |
| 993248 | 1 | SHIELD TOP-ZC BOX LE4 PROV |  |
| 993249 | 1 | PANEL TOP-ZC BOX LE4 PROV |  |
| 993313 | 1 | LE4000 Z/C PANEL ASSY BOTTOM |  |
| 993314 | 1 | LE4000 Z/C PANEL ASSY R/H |  |
| 993315 | 1 | LE4000 Z/C PANEL ASSY L/H |  |
| 993337 | 1 | LE4000 Z/C PANEL ASSY REAR |  |
| 995196 | 2 | BRACKET RESTRAINT, ZC K1 |  |

DIMENSIONS:

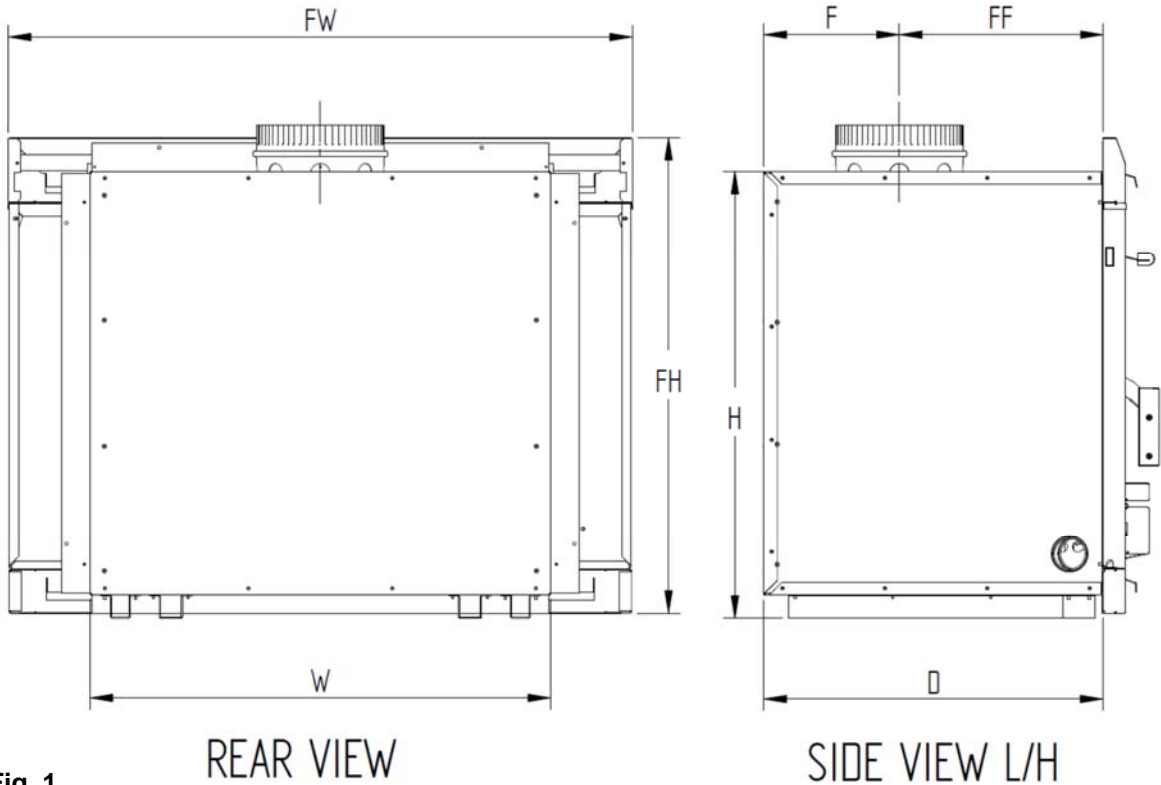


Fig. 1

| MODEL | D | F | FF | FH | FW | H | W |
|-------------------------|-----|-----|-----|-----|-----|-----|-----|
| LE4000 PROV BUILT-IN | 525 | 210 | 315 | 750 | 965 | 696 | 715 |

INTRODUCTION

In the interest of your safety, all building regulatory Authorities in New Zealand require any insert woodfire installation into a masonry cavity, to comply with Installation Standard AS/NZS 2918:2001, Appendix E. They may also have local requirements in addition to those in the Standard. Check with your local Building Authority **before commencing installation** to find if you will require a Permit and whether there are extra requirements. This woodfire has been tested to ensure that it complies with the appropriate safety Standard requirements if these instructions are followed. As the safety and emission performance can be affected by altering the appliance, no modifications are allowed without written permission from the manufacturer.

The model LE4000 PROV has been tested and complies to the Australian/New Zealand Standards AS/NZS 4012:1999 and AS/NZS 4013:1999 in order to meet the current national environment standard for emissions and performance requirements in New Zealand. Some areas in New Zealand have stricter limits for emissions. **So check the requirements for your area before purchase or installing the unit.**

WE RECOMMEND THAT THE INSTALLATION OF YOUR MASPORT SOLID FUEL BURNING APPLIANCE BE CARRIED OUT BY A QUALIFIED INSTALLATION TECHNICIAN.

LE4000 PROVINCIAL MODEL HAS AIR RECIRCULATING FAN WHICH MUST BE INSTALLED AND ALL ELECTRICAL WORK BE CARRIED OUT BY A LICENSED ELECTRICIAN. REFER DETAILED INSTRUCTIONS FOR INSTALLATION OF FAN FOR THIS MODEL ON PAGE 14.

IN SOME REGIONS POWER POINTS ARE NOT PERMISSIBLE WITHIN THE FLOOR PROTECTOR AREA, PLEASE CHECK WITH YOUR LOCAL AUTHORITY.

IF THE SUPPLY CORD IS DAMAGED, IT MUST BE REPLACED BY THE MANUFACTURER OR ITS SERVICE AGENT OR A SIMILARY QUALIFIED PERSON IN ORDER TO AVOID ELECTRICAL HAZARD.

WARNING: THE APPLIANCE AND FLUE SYSTEM MUST BE INSTALLED IN ACCORDANCE WITH AS/NZS 2918:2001 AND THE APPROPRIATE REQUIREMENTS OF THE REVELANT BUILDING CODE OR CODES.

WARNING: APPLIANCES INSTALLED IN ACCORDANCE WITH THIS STANDARD MUST COMPLY WITH THE REQUIREMENTS OF AS/NZS 4013 WHERE REQUIRED BY THE REGULATORY AUTHORITY, I.E. THE APPLIANCE SHALL BE IDENTIFIABLE BY A COMPLIANCE PLATE WITH THE MARKING 'TESTED TO AS/NZS 4013'. ANY MODIFICATION OF THE APPLIANCE THAT HAS NOT BEEN APPROVED IN WRITING BY THE TESTING AUTHORITY IS CONSIDERED TO BE IN BREACH OF THE APPROVAL GRANTED FOR COMPLIANCE WITH AS/NZS 4013.

LE4000 PROVINCIAL APPLIANCES CAN NOT BE FITTED WITH WATER HEATING DEVICE SUCH AS WATER BOOSTER.

CAUTION :

- PLEASE ENSURE THAT ONLY COMPONENTS APPROVED BY GLEN DIMPLEX AUSTRALASIA LTD ARE USED FOR INSTALLATION, as substitutes may adversely affect performance and might nullify compliance with the requirements of AS/NZS 2918:2001.
- MIXING OF APPLIANCE OR FLUE SYSTEM COMPONENTS FROM DIFFERENT SOURCES OR MODIFYING THE DIMENSIONAL SPECIFICATION OF COMPONENTS MAY RESULT IN HAZARDOUS CONDITIONS. WHERE SUCH ACTION IS CONSIDERED, THE MANUFACTURER SHOULD BE CONSULTED IN THE FIRST INSTANCE.
- CRACKED OR BROKEN COMPONENTS, E.G. GLASS PANELS, MAY RENDER THE INSTALLATION UNSAFE.
- USE SMOKE DETECTORS ARE REQUIRED TO BE FITTED IN ALL RESIDENTIAL HOUSEHOLDS AS PER THE GUIDELINES GIVEN IN AS1670.6 OR MANUFACTURER OF THE SMOKE ALARM OR LOCAL BUILDING AUTHORITY.
- KEEP FURNITURE AND DRAPES WELL AWAY FROM THE STOVE.

NOTE

The following instructions cover the installation of the model LE4000 Provincial Built-In Fire to be installed when no conventional masonry chimney is available. The woodfire will need a 'zero clearance' metal shielding box, 'zero clearance' fascia with top & bottom ventilated rails and special 'zero clearance' flue kit. The installation may be made onto a timber or particle board floor or a concrete floor. See Special Constructions below for concrete floors.

STANDARD INSTALLATIONS- FLOOR TO CEILING ENCLOSURE:

1. Inspect the house construction at the proposed installation position to verify that the flue shield (250mm diameter, plus 25mm clearance all around) can pass right up through the ceiling space without requiring the removal of essential roof or ceiling support beams. The flue centerline will be 271 mm out from the rear wall and any side wall adjacent to that of the fire recess must be at least 730mm from the centre line of the flue. (See Fig. 2).

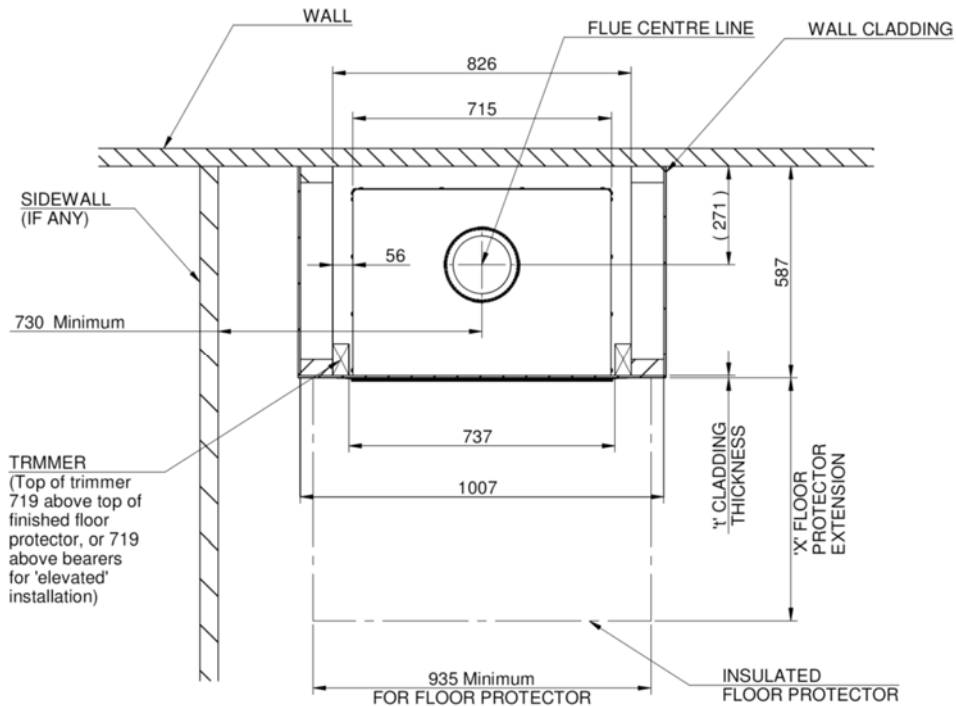


Fig. 2 FLOOR PLAN

2. Drop a plumb line from the ceiling to the floor to verify the centerline and cut a hole at least 300mm square through the ceiling on this centerline. If preferred, there may be no ceiling inside the fireplace enclosure. (See step 12)
3. Ensure that there are suitable nogs at either the ceiling or roof level (or both) to provide anchorage for the outer flue heat shield bracing angles.
4. Frame up the **enclosure** using nominal 90 by 45 dressed timber, verifying that it will be on the flue centerline. (See Fig. 3). The overall depth of the frame should be $(587 - t)$ mm, where 't' is the cladding thickness. The distance between the trimmers (where the assembled shielding box will fit), should be 737mm. The overall width of the enclosure frame shown is the minimum required, but if desired it may be larger. The trimmers do not run the full height, but end 719 mm above the finished top face of the floor protector (or 719 mm above the top of the bearers if the heater is 'elevated'). Refer to paragraph 6 for floor protector thickness options and the advantage of 'elevated' installations. Fix the metal support angle across the tops of the trimmers to provide support and fixing for the front heat resistant cladding. (See Fig. 3).
5. For an 'elevated' installation, fix two **extra nogs** (90x45x737 mm) across the front opening of the enclosure, one at the bottom and the other at the desired 'elevation' height. (See Fig. 4). These **extra nogs** will carry the front cladding below the heater. Fix two 90 x 45 **bearers** running from front to back behind the top extra nog, 240 mm each side of the centerline to support the shielding box rails. The **bearer** tops must be flush with the top of the **top extra nog**. Provide **support** at the rear of the bearers to carry the appliance. (See Fig. 4). The shielding box rails can sit directly on the bearers. No insulation is necessary. The usual three nogs may be fixed at each side of the enclosure. At the front, the lowest wooden nog N must have its lower face at least 1290 mm above the top of the floor protector (or 1290 mm above the bearers for an elevated installation). Further wooden nogs can be fitted at the front above this one.
6. The **side cladding** for the enclosure may be Gib board or any other wall cladding material. For ease of flue installation, leave the cladding off at least one side until the flue system has been installed.

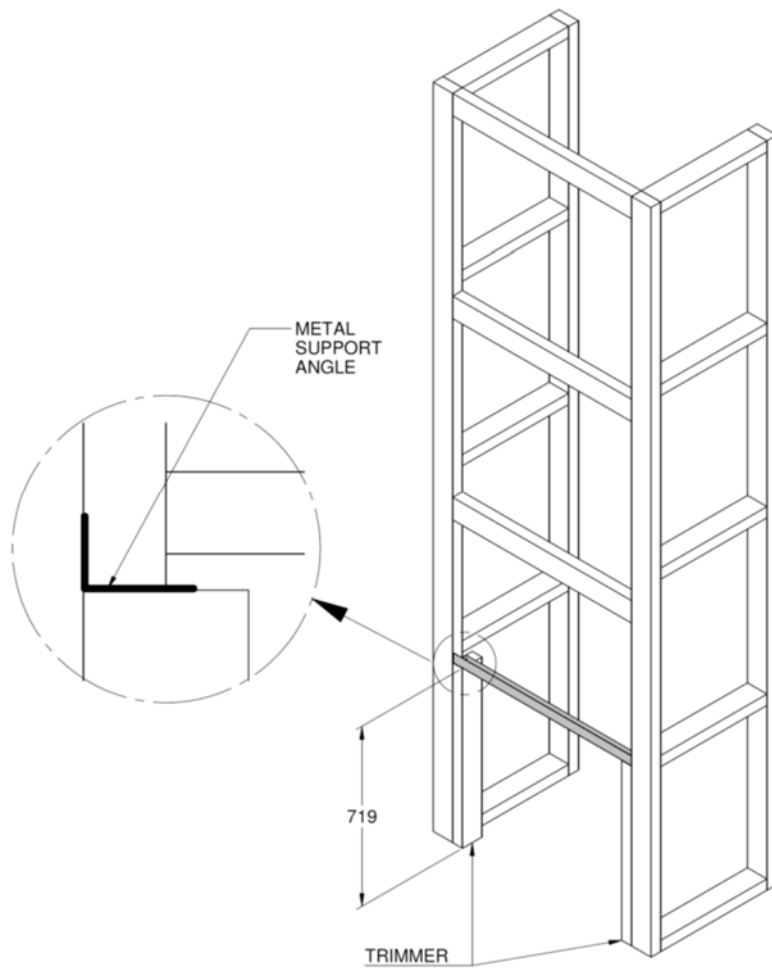


Fig. 3 Frame Structure

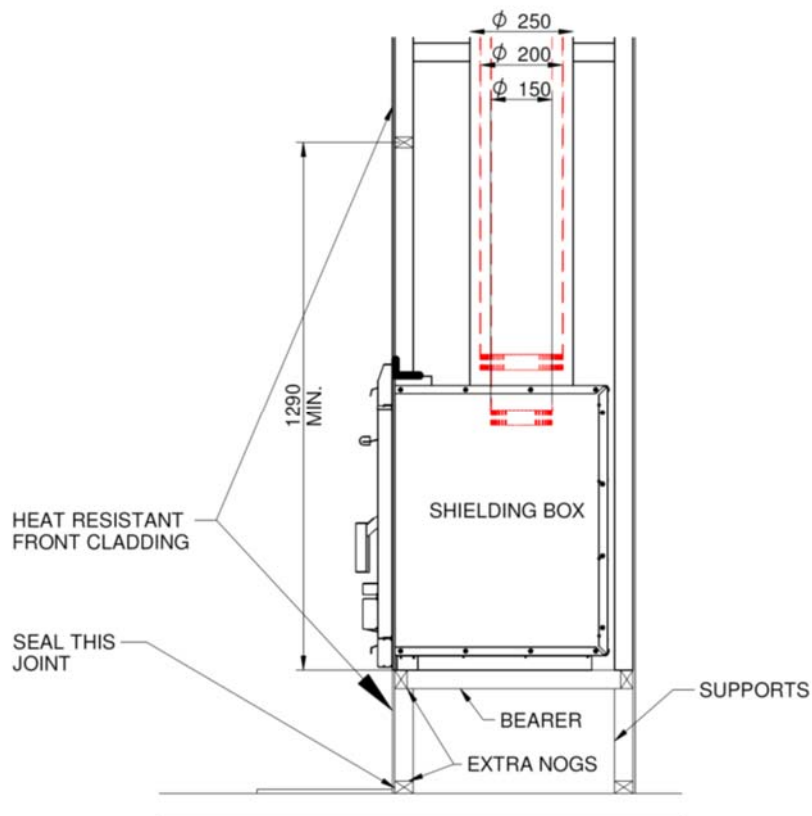
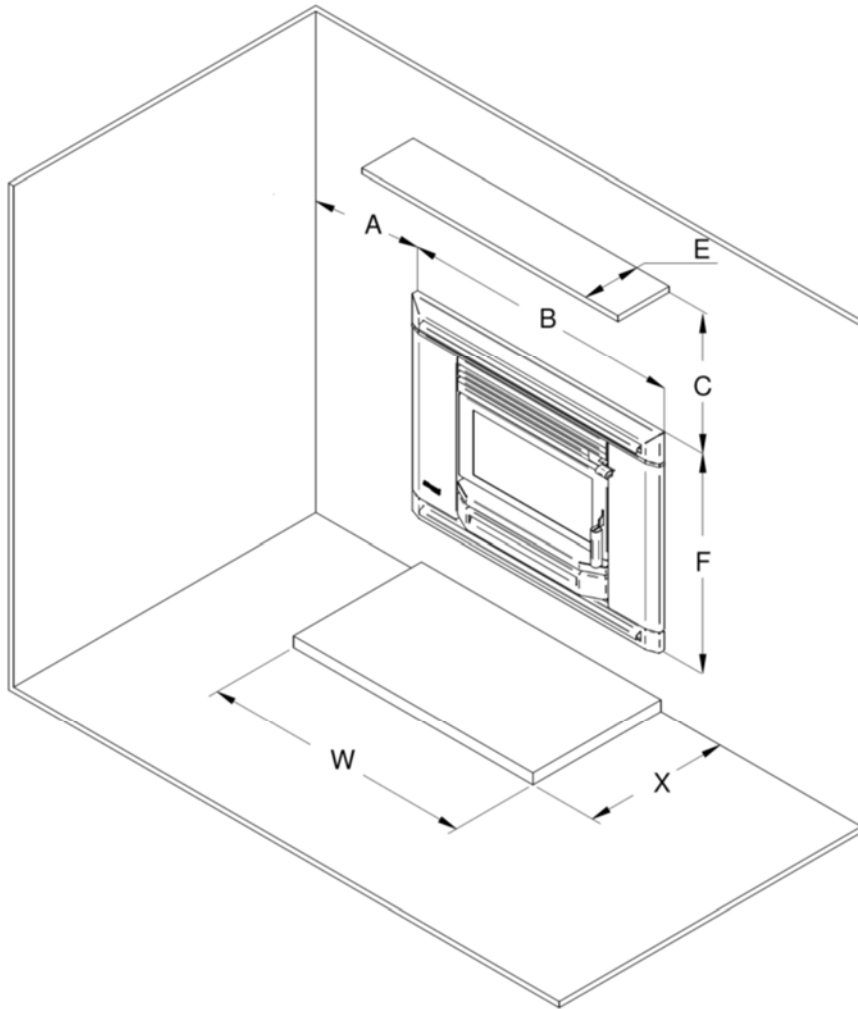


Fig. 4 Elevated Installa-

7. Fix the cladding to the **front** of the enclosure, including down each side of the 719 x 737 opening. All **front cladding** (including cladding below the heater in elevated installations) which is less than 1290 mm above the floor protector (or the bearers in elevated installations), must be of heat-proof material such as Hardies Tile and Slate Underlay, Hardiflex or Supalux.
8. **Wall surfaces directly above the heater may reach 85 degrees C, so materials such as wallpaper and water based paint may be adversely affected. For durability of finishes and surfaces you should contact the relevant manufacturer for their specifications. Glen Dimplex accepts no responsibility for the deterioration of surfaces or finishes.** It is usually convenient to carry the heat-proof material right up to ceiling level. At the lower edge, drill (4.5 mm diameter) into the metal support angle through the holes in the top flange of the shielding box and fasten with the self threading screws provided.
9. You are allowed to have combustible mantel pillars. They must be placed at least 595mm from the center of the appliance and must not protrude more than 100mm from the wall where the fascia is butting against.
10. For heat sensitive floors, construct a floor protector of the shape shown in the Floor Plan above (Fig. 2). (See SPECIAL CONSTRUCTIONS below for concrete floors). The standard floor protector is constructed of two layers of 6mm thick MICORE 160, PROMATECTH, SUPALUX, or ETERPAN LD (of similar with a heat transition coefficient of 5 W/m³ K) topped with a layer of tiles or slate. This will give a thickness of approximately 20mm, and the extension from the face of the front cladding must be at least 412 mm. The floor protector must be at least 935 mm wide, but you may prefer to increase this size to match the fascia width (967 mm).
11. NOTE: For elevated installations, the floor protector may be installed after the heater is in position as it does not need to extend into the enclosure. However, its rear edge must butt up against the face of the heat-proof cladding below the heater, and the joint at that point must be sealed to prevent the possibility of ember penetration
12. Cement tiles or slate to the top of the floor protector. The part inside the enclosure will not be visible and therefore does not need complete coverage. It is necessary to fix the finishing layer only under the support rails in this area. The visible edges of the floor protector are best finished with wooden trim or tiles.
13. Penetrate the roofing material on the flue centreline. Working from the bottom, assemble sections of the flue and the inner and outer flue heat shields (casings) and pass them up through the hole in the roof. The flue must be fixed at each joint with at least two rust-proof fasteners, and the crimped ends of the flue heat shields go to the top. When finally installed, the inner shield must extend up past the roof penetration point and the outer shield must be sufficiently high to avoid down-draughts in the finished flue. If the flue centreline is within 3m of the ridge, the outer shield must end at least 600mm above the roof ridge. If it is more than 3m from the ridge, the shield must extend at least 900mm above the point of roof penetration. If there are trees or high buildings in the vicinity, it may be necessary to increase this height to avoid down-draughts. Note that the 200mm adapter ring (with holes which ventilate the space between the flue and the inner shield) will be fitted into the shielding box assembly and will engage in the bottom of the inner heat shield (see Fig. 7). Fit a temporary support to hold the flue system high enough to permit sliding in the shielding box.
14. Assemble the base, sides, back and top panel of the shielding box (see Fig. 6).
15. Slide the assembly into place in the enclosure. After centralizing, fix the flange of the top panel of the shielding box through the cladding into the metal angle support, and fix the side flanges (through the cladding) into the wooden trimmers.
16. Pass the 200mm adapter ring (crimped end up) upwards into the hole in the top panel of the shielding box, and slide the top shield in under it so that the ring sits on top of the top shield and the top shield rests on the top edges of the inner heat shields of the cabinet. Make sure the back flange of the top shield hooks over the shield on the rear panel. Fix the top shield to the front flange of the top panel with 3 screws.
17. In New Zealand, building standards require that the appliance must have a seismic restraint to prevent shifting in the event of an earthquake. To provide seismic restraint, fix the shielding box to the floor (bearers in a elevated installation) with two 6mm masonry anchors (DYNABOLTS) or two 12 gauge screws. Use the two holes in the bottom of the shielding box.
18. Now go to the firebox cabinet and remove the two retaining screws and slide out the removable top section of the **firebox** cabinet.
19. Attach the tow centralizing brackets to the side panels of the firebox cabinet, flanges facing outwards. Use two screws provided for each bracket.
20. Remove the door: Open door and lift door until the top pivot disengages and then lower the door to free the bottom of the hinge.



| A Min. | B | F | W Min. | C Min. | E Max. | H | X Min. |
|-----------|-----|-----|-----------|-----------|-----------|----|-----------|
| 247 | 967 | 740 | 935** | 510 | 150 | 25 | 390* |
| | | | | | | 57 | 330 |

* 330mm with 100mm or more elevation

** Increase to match or exceed fascia width B for an enhanced appearance

Fig. 5

21. Also remove top louver assembly by first lifting and then tilting in order to unhook from the cabinet.
22. Slide the firebox cabinet into the shielding box. Centralize it and secure the restraint brackets to the shielding box.
23. Complete the seismic restraint of the fire by screwing the base plate of the firebox to the bottom channels of the shielding box with two M6 screws. Use the two holes in the base.
24. Lower the assembled flue pipe (sections must be sealed and held together with three S/S fasteners) and **seal and fix it to the flue socket** of the heater. Lower the inner flue heat shield and engage its bottom end with the adapter ring. Lower the outer flue heat shield to sit on top of the shielding box.
25. Fit the two shield bracing angles at either ceiling or roof level as appropriate. Fix a suitable flashing where the outer shield penetrates the roof.

26. **IMPORTANT.** TO AVOID THE RISK OF A FIRE, COVER THE ENTIRE OPEN SPACE SURROUNDING THE HEAT SHIELD AT CEILING LEVEL WITH WIRE NETTING WHICH HAS A MESH SMALL ENOUGH TO PREVENT THE ENTRY OF BIRDS OR VERMIN INTO THE ENCLOSURE.
27. At the top of the flue, fix the flashing cone and fit the flue cowl in the usual way. There must be a 25mm gap between the top of the two casings and the flashing cone, so that the spaces between the flue pipe, inner and outer casings are properly vented.
28. Re-fit the removable top section of the firebox cabinet and secure it with two screws.
29. Fix the cladding to the enclosure side(s).
30. An un-shielded mantel-shelf may be fitted according to the height and width restrictions shown in Fig. 5. Shelves lower or wider than shown require a metal under-shield (see the installation manual).
31. Remove the standard top rail of the fascia and replace it by the vented one. Remove the bottom bar of the fascia and replace it by the vented bottom rail, taking care to trap the mains lead and grommet between the left end of the bottom rail and the left fascia upright. If necessary, replace the electrical connections at the rear of the fan switch (see installation manual) and ensure that the earth wire is connected to the post behind the Masport badge on the left fascia upright.
32. Connect the fan with help of a registered electrician as per instruction on page 14
33. Fit the fascia by offering it up to the heater about 15 mm above its final position and lowering it, making sure the lip behind the top fascia rail engages in the slot at the top of the shielding box. Fit the six retaining screws.
34. Fit the upper and lower fascia grilles and the firebox door as described in the installation manual.
35. Ensure that the ceiling baffle, secondary air tube and the two side bricks and the two rear bricks are in the correct position.
36. Finish the floor protector by installing an edge trim if desired.

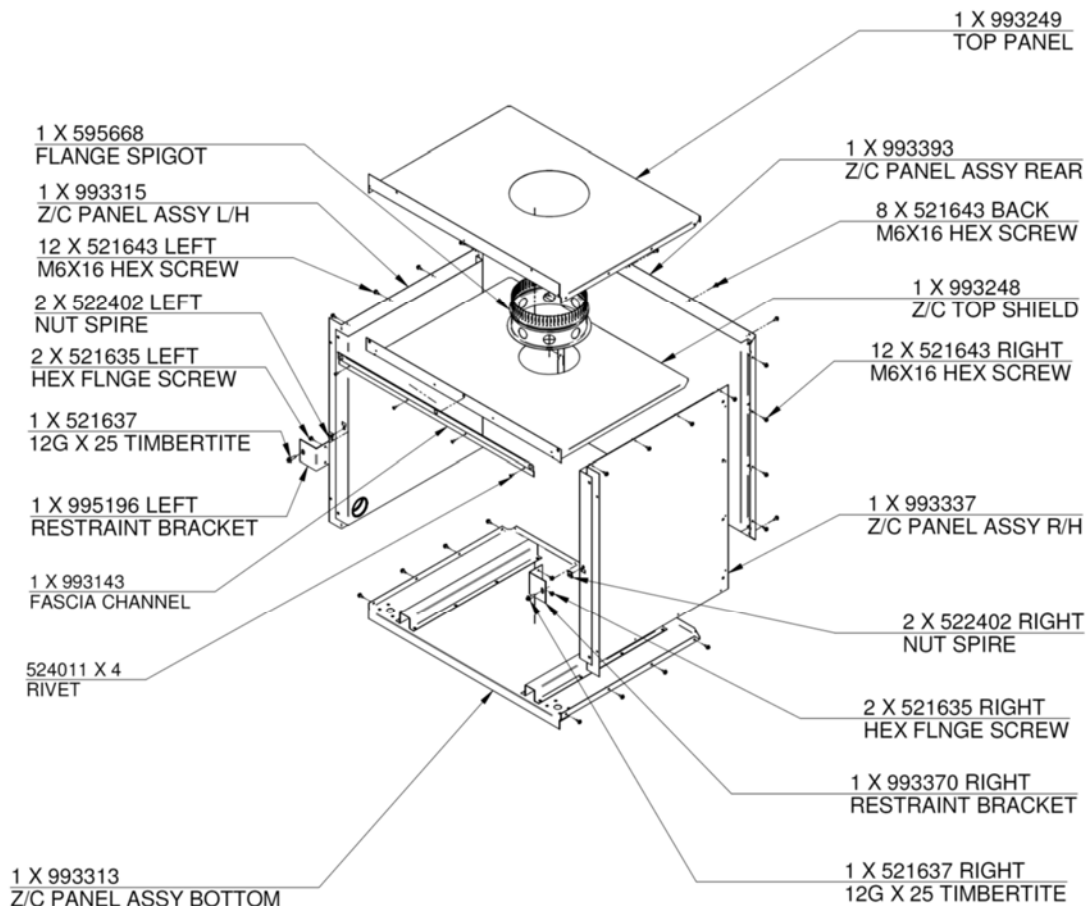


Fig. 6

NOTES FOR SPECIAL CONSTRUCTIONS & VARIATIONS :

CONCRETE FLOORS: The above instructions assume that the heater is being assembled on a heat sensitive floor such as timber or particle board. Where the floor is not heat sensitive (e.g. concrete, the insulating floor protector may be omitted. However, if heat sensitive floor coverings are fitted it will be necessary to keep them at a safe distance. The most practical way to do this is to fix tiles to the floor where the floor protector would normally be. This will make the top of the protector approximately flush with the floor covering, so a larger floor protector will be needed. It must extend out to 453 mm from the face of the front cladding material, with a minimum width of 965 mm. Refer paragraph 6 and Fig 9.

EXTERNAL INSTALLATIONS: In the case where the enclosure is to be erected outside the house, the shielding and flue installation details above will still apply. It is important to remember that the aperture in the wall of the house will need to be sufficiently high to permit the installation of heat resistant paneling in front of the heater to at least 1290 mm above the bottom of the shielding box rails. Suitable foundations will be required to support the weight of the enclosure and the heater and weatherproofing of the entire assembly will be necessary.

BRICK FACED INTERNAL ENCLOSURES:

Flue installation and clearance requirements are as detailed above. Brick wall construction will normally require a cast concrete base slab, so this slab could be extended to provide the necessary floor protection.

CAUTION: If local Building Requirements permit laying the concrete slab on top of a wooden floor, it should be made of lightweight concrete and even then foundation support may be required. In any case, the slab should be poured on top of one layer of Micore 160 board (covered with sheet plastic to keep it dry) to prevent heat damage to the wooden floor. The top surface can be finished with bricks or tiles etc. In all cases the floor protector dimensions must be as previously shown.

As before, the opening for the appliance in the front wall must be 737 mm wide and 719 mm high. Note that the bricks above the opening must extend to at least 1290 mm above the bottom of the shielding box rails.

Fit the shielding box and complete the installation as previously detailed for standard installations.

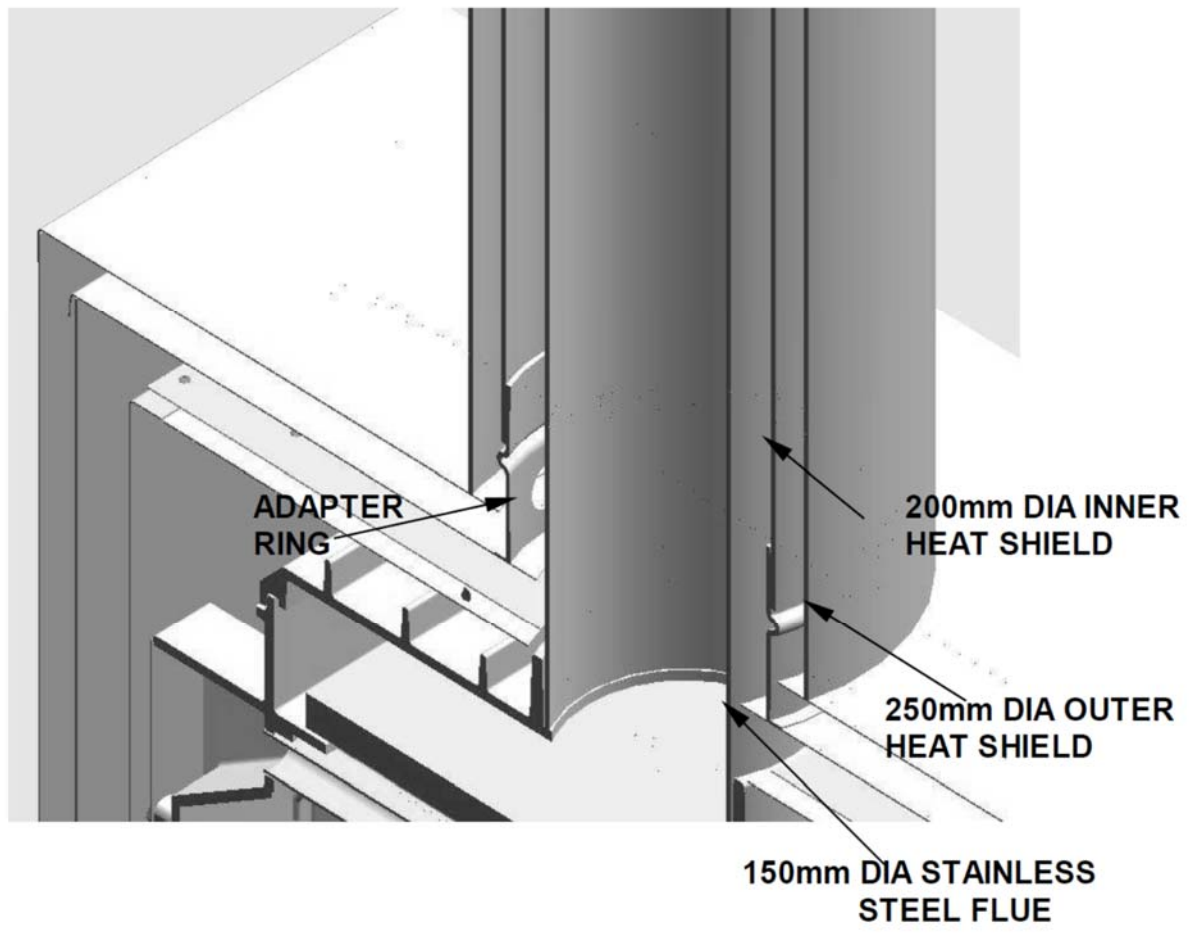
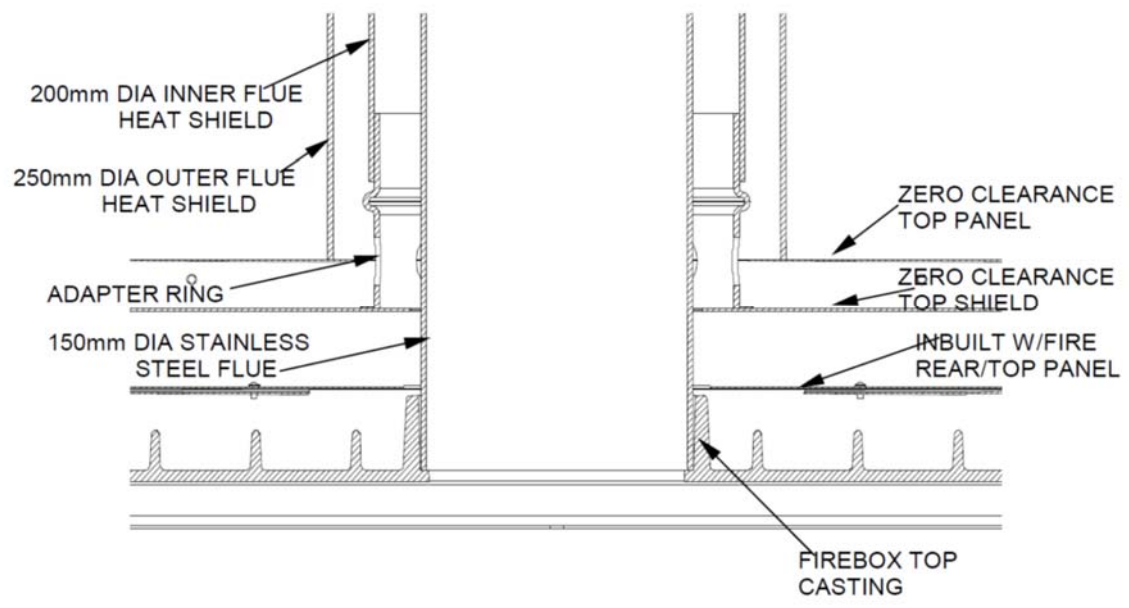


Fig. 7

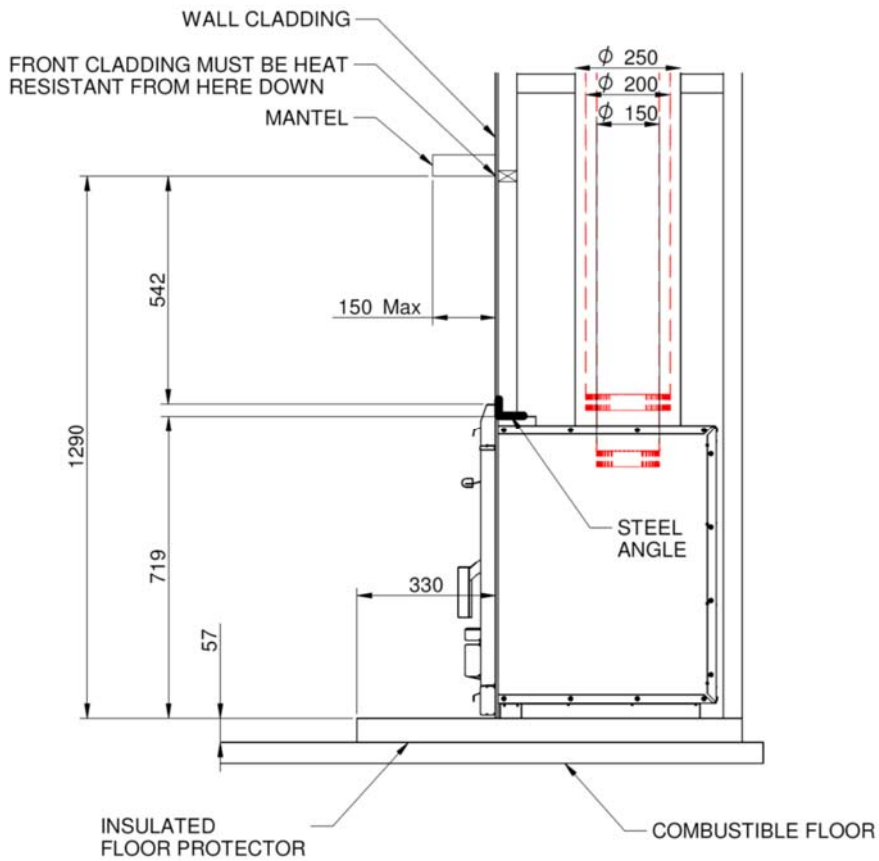


Fig. 8

**INSTALLATION ON
COMBUSTIBLE FLOOR
WITH MANTLE SHELF**

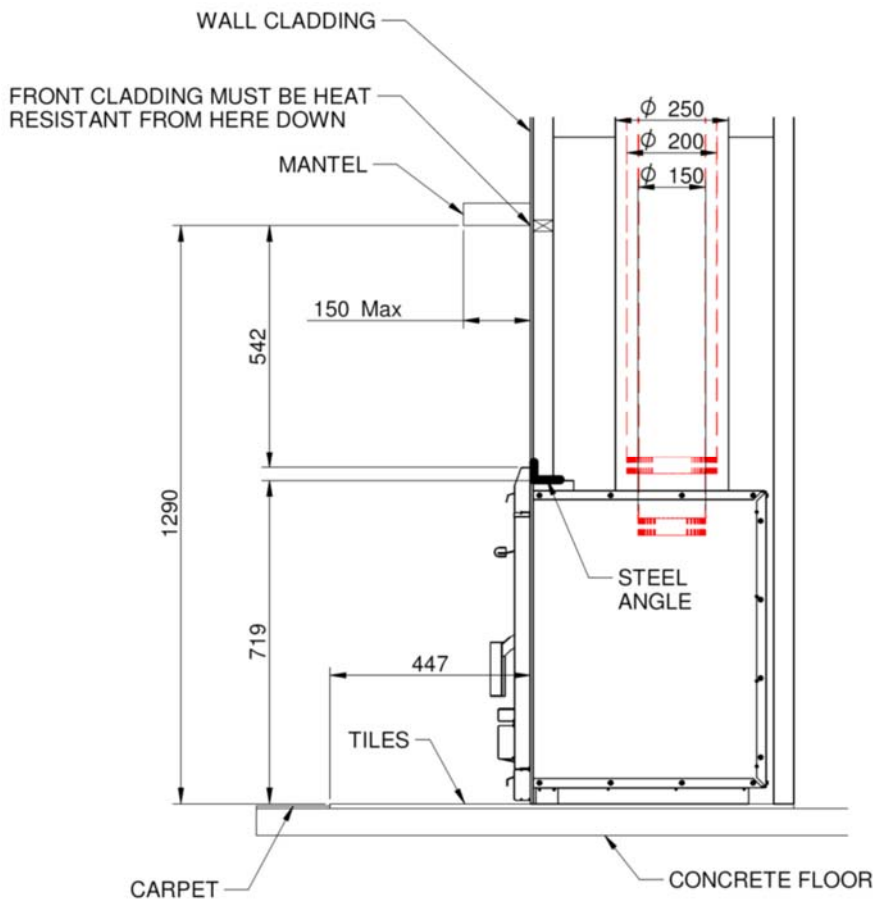


Fig. 9

**INSTALLATION ON
CONCRETE FLOOR
WITH MANTLE SHELF**

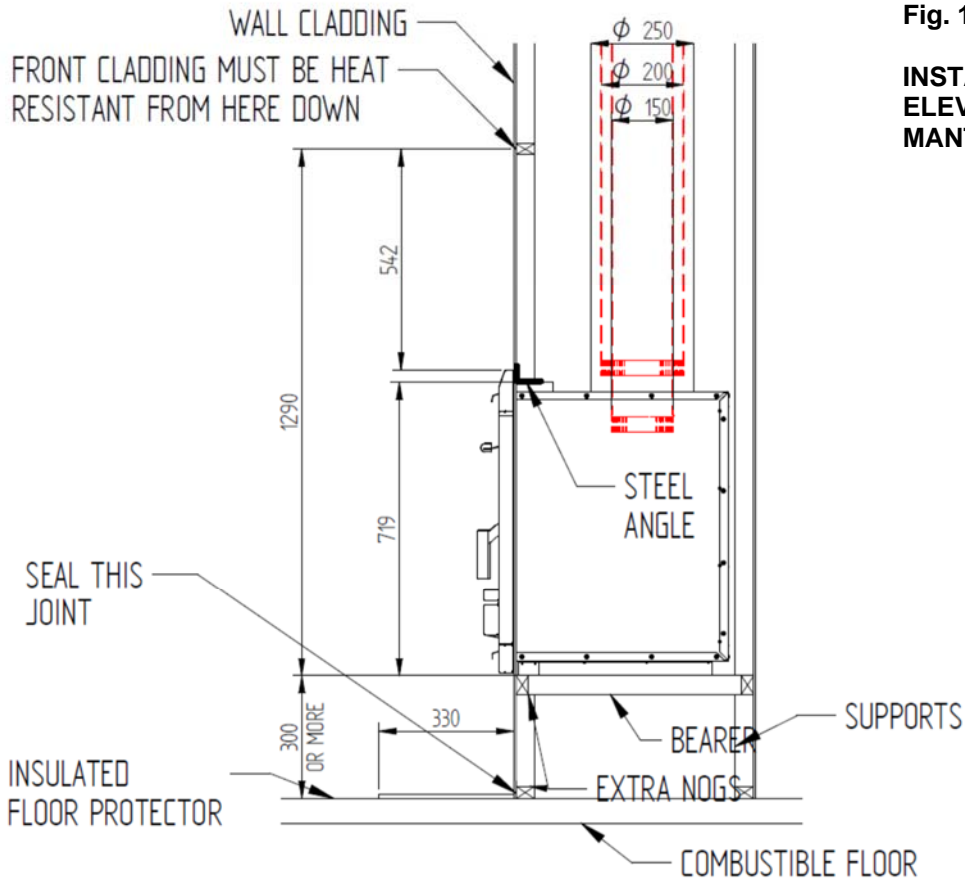


Fig. 10

**INSTALLATION -
ELEVATED WITHOUT
MANTLE SHELF**

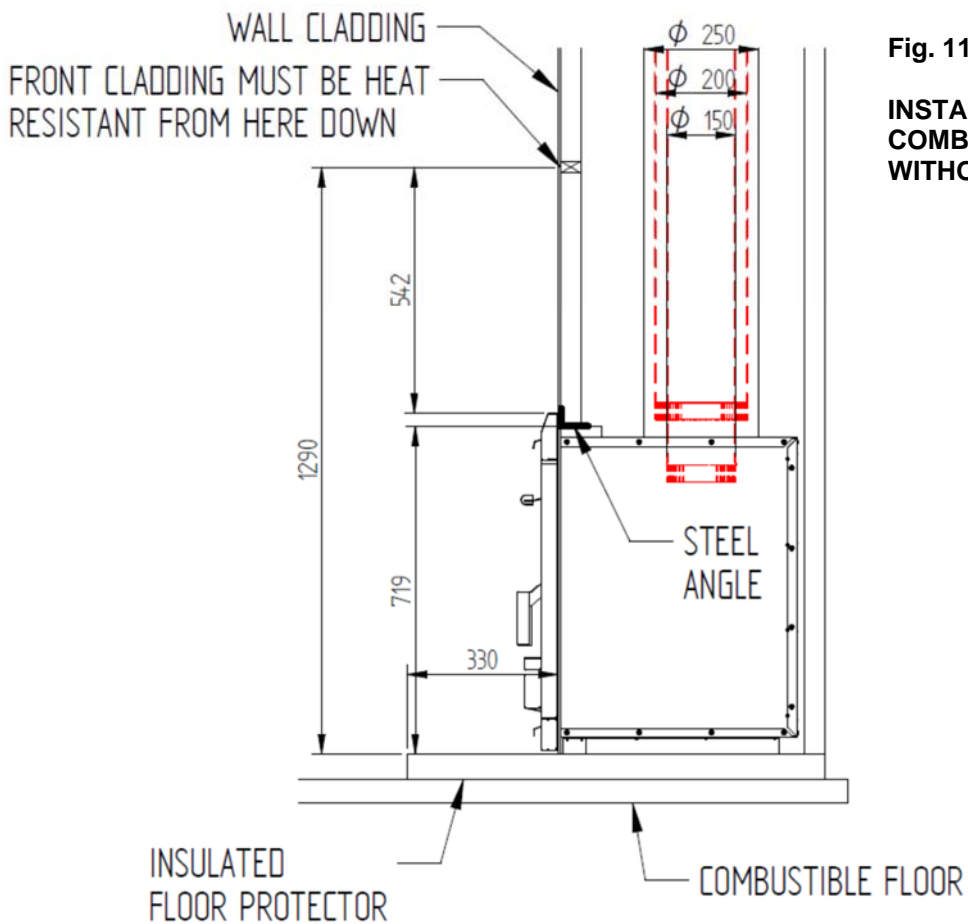
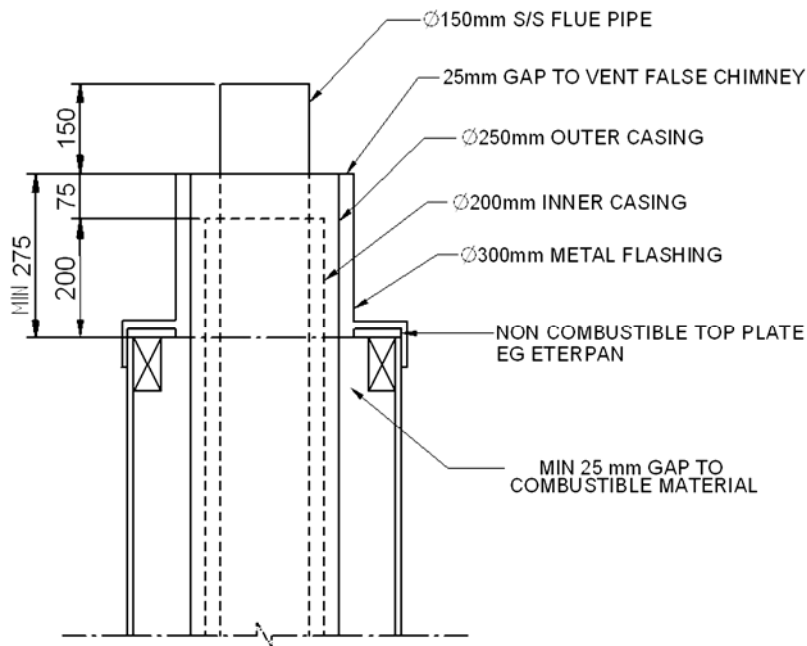


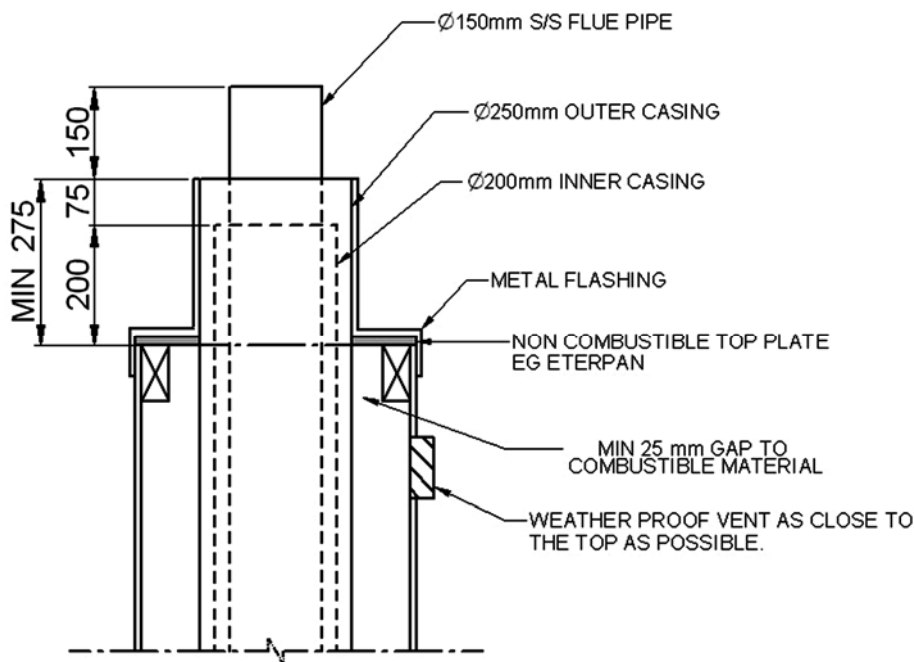
Fig. 11

**INSTALLATION ON
COMBUSTIBLE FLOOR
WITHOUT MANTLE**



**HEIGHTS OF FLUE PIPE & CASINGS FOR
STANDARD CASING COVER & COWL & TOP FLUE PIPE SPAC-
ER BRACKET BY GLEN DIMPLEX
FALSE CHIMNEY VENTED THROUGH 150-350 CASING COVER**

Fig. 12



**HEIGHTS OF FLUE PIPE & CASINGS FOR
STANDARD CASING COVER & COWL & TOP FLUE PIPE SPAC-
ER BRACKET BY GLEN DIMPLEX
FALSE CHIMNEY VENTED THROUGH SIDE VENT**

Fig. 13

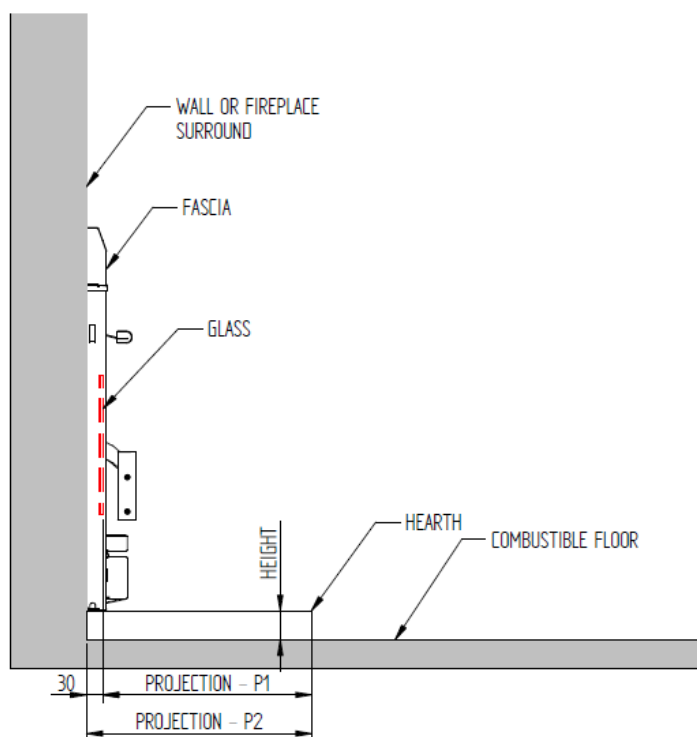
NOTE:

It is very important that the space between the flue pipe and the inner casing and the space between the inner casing and the outer casing are ventilated at the top.

HEARTH REQUIREMENTS:

An **insulating floor protector (hearth)** is required. The minimum requirement for an insulating floor protector (hearth) is one layer of 6mm thick 'PROMATECT H', SUPALUX, or ETERPAN LD (or similar with a heat transition coefficient of 5 W/m³ K), and a layer of tiles or slate. This will give a thickness of approximately 14mm, and the extension from the face of the glass must be at least 441mm (or 440mm from fireplace surround) if the floor protector is flush with the surrounding heat sensitive material. The floor protector must be at least 875mm wide. **It is desirable to carry the floor protector all the way inside the fireplace to ensure that the bottom of the zero clearance box does not rest below the top surface of the floor protector.**

The projection distance for the floor protector can be reduced if the height of the hearth is more than 0mm above combustible materials. Please refer to the following table:



| HEARTH HEIGHT ABOVE EXPOSED FLOOR | PROJECTION FROM GLASS - P1 | PROJECTION FROM FIRE PLACE SURROUND - P2 |
|-----------------------------------|----------------------------|--|
| mm | mm | mm |
| 0 | 417 | 447 |
| 12.5 | 387 | 417 |
| 25 | 360 | 390 |
| 37.5 | 336 | 366 |
| 50 | 315 | 345 |
| 57 or greater | 300 | 330 |
| | | |

ELECTRICAL INSTALLATION

ALL ELECTRICAL WORK MUST BE CARRIED OUT BY A LICENCED REGISTERED ELECTRICIAN.

THE FAN IS TO BE PERMANENTLY CONNECTED TO THE MAINS SUPPLY WITH NO PERIPHERAL CONTROLS. THIS MEANS, THERE MUST NOT BE A PLUG AND SOCKET ARRANGEMENT. IN ORDER TO COMPLY WITH THE NEW ZEALAND ELECTRICAL STANDARDS, AN ISOLATION SWITCH IS NEEDED FOR ISOLATING THE FAN FROM THE SOURCE OF POWER.

FOR FIRES INSTALLED IN THE CANTERBURY REGION:

A COMPLIANCE CERTIFICATE, SIGNED BY THE PERSON RESPONSIBLE FOR WIRING THE APPLIANCE, SHALL BE SUBMITTED TO THE CANTERBURY REGIONAL COUNCIL, WITHIN ONE MONTH OF INSTALLATION, TO CERTIFY THAT THE SYSTEM IS WIRED IN ACCORDANCE WITH THE MANUFACTURER'S SPECIFICATIONS AND INSTRUCTION GIVEN IN THIS MANUAL.

OPERATIONS OF FAN

During the operation of the fire, once the fire has warmed up, the internally mounted heat operated switch (Thermodisc) will automatically switch the fan on. It may take approximately 15 minutes to reach the switching temperature. This is to prevent cold air being circulated. The fan will be running throughout the heating cycle. This is to ensure maximum efficiency for your woodfire. Once the fire has cooled down, the fan will automatically switch off. The fan uses very little power, approximately 30 Watts.

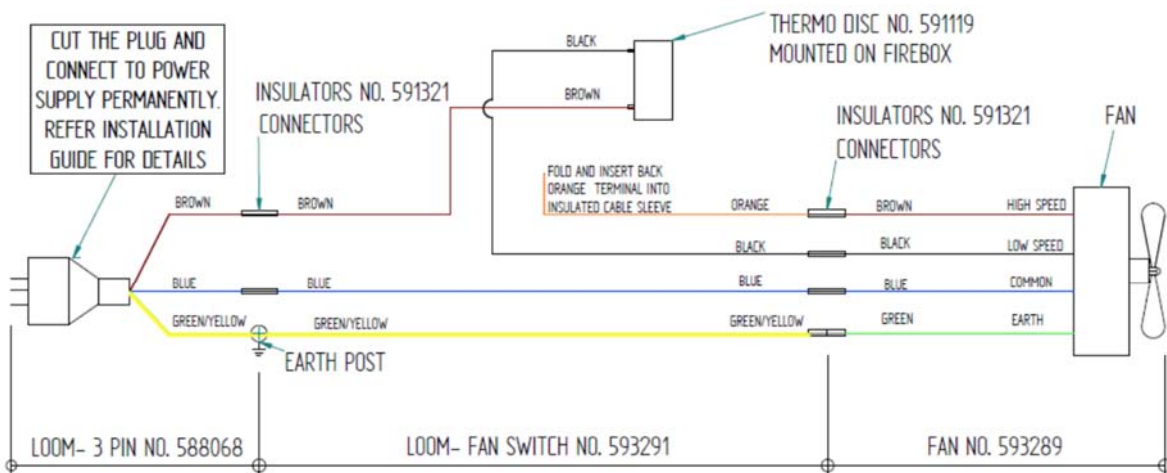
SAFETY

The appliance is not intended for use by young children or infirm person without supervision. Supervise young children to ensure they do not play with the appliance.

If a supply cord is damaged, it must be replaced by the manufacturer, it's service agent or a suitably qualified person, in order to avoid electrical hazard.

MAINTENANCE

The fan should need little attention other than occasionally (perhaps once a year) removing it to clean dust and lint from the impeller. First using isolation switch, isolate the appliance from the electricity source. The fan can be accessed by removing the ash shelf. This is done by turning the two screws below the ash shelf 1/4 turn and pull the bottom of the shelf out and then lift the shelf up to disengage the top. Clean the impeller blades carefully by blowing or vacuuming. Do not apply force to the impellers. Reinstall the ash shelf. Switch ON the power supply using isolation switch.



FAN WIRING DIAGRAM- LOW SPEED, LE4000 INSERT/INBUILT FIRE

593277

SLIM AND WIDE FASCIA ASSEMBLY & INSTALLATION FOR LE4000 PROVINCIAL INSERTS

If the fascia is not assembled use steps 1-4 to put together fascia components. Use steps 5 & 6 to attach fascia to firebox cabinet / casing.

1. Lay the fascia panels flat, face down on something soft so they won't scratch.
2. Align the bottom flange of each side panel with the corresponding end of the bottom rail. Using the self-tapping screws provided, attach the bottom rail to the bottom flanges of the side panels. Tighten the screws only loosely at this stage. (see Fig.1)
3. Lower the top panel assembly into place with the locating prongs pointing down so that they fit inside the top edges of each side panel. Fasten the top panel to the case through the two holes in the lower flange of the top panel assembly. (see Fig.2)
4. Offer the fascia assembly up to the case to obtain the correct width for the side panel spacing keeping the inside flanges of each panel on the inner side of the mounting flange of the fireplace. Carefully remove the assembly and tighten the screws fastening the bottom rail to the side panels.
5. Ensure that the wires are away from the side of the fireplace. The power cord should be run behind the fascia panel and out through the slot in the side of the fascia. The rubber grommet on the power cord should be inserted into the slot to protect the power leads against possible damage.
6. Offer the fascia assembly up to the case once more and secure through the two holes on the inner edges of each fascia side panel and two holes of top panel assembly using the screws provided. (see fig.3)

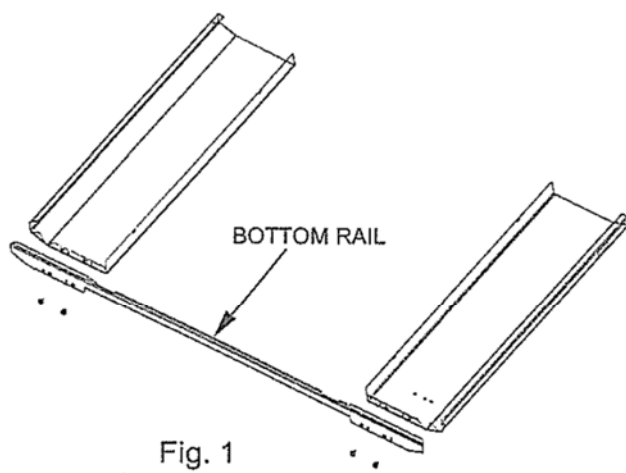


Fig. 1

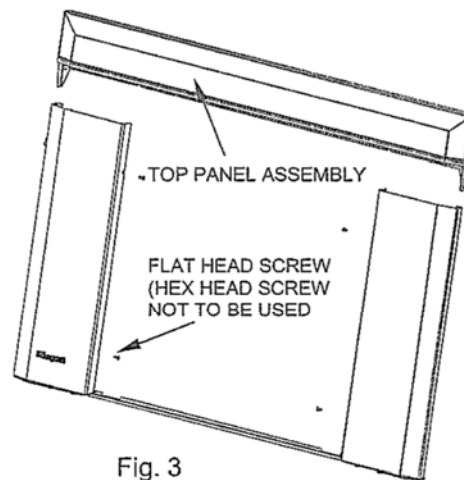


Fig. 3

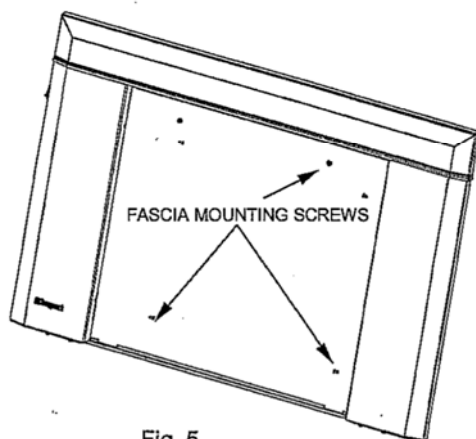


Fig. 5